

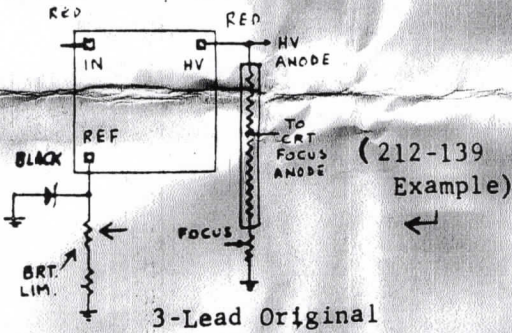
212-130 HIGH VOLTAGE TRIPLER

KIT 800-791

Consists of: 212-130 Tripler
205-229 Silicone Sealant

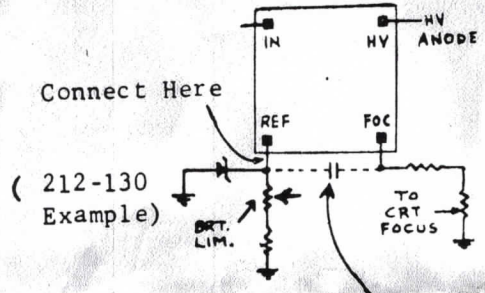
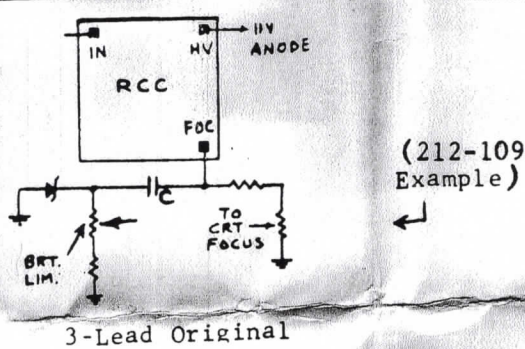
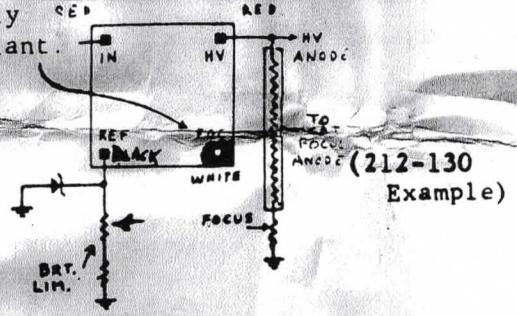
In all installations, the BLACK lead must be connected to the high (Zener Diode) side of the brightness limit control. Coat any terminal to which a high-voltage lead has been connected with silicone sealant (205-229) to reduce corona.

If the circuit looks like this:
3 or 4 Lead
Original



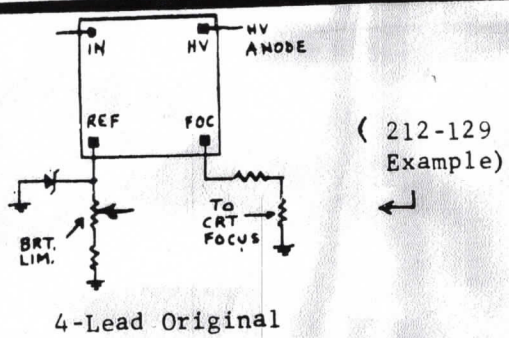
Wire in the new tripler as follows:
4 Lead
Replacement

Cut lead at tripler and apply Silicone Sealant.



Remove capacitor by cutting its leads and discard.

To Replace Tripler:	Refer To Note(s)
212-102	2
212-103	2
212-104	
212-105	2
212-106	2
212-108	1,2
212-109	1,2
212-110	1,2
212-128	2
212-129	2
212-131	2
212-132	2
212-133	2
212-134	
212-135	
212-136	2
212-139	3
212-140	1,2
212-140-01	1,2



Same as original
(212-130)

4-Lead Replacement

INSTALLATION NOTES:

- Remove the high-voltage capacitor (c) shown on the original partial schematic above by cutting its leads close to the terminals, and discard (when used in original application).
- Cut leads of 212-130 to these lengths (+ 1/4"):

OUTPUT	(Red)	14-1/2"
INPUT	(Red)	3-1/2"
FOCUS	(White)	5-1/2"
REF	(Black)	6-1/2"
- Cut the focus lead of 212-130 close to the case and apply silicone sealant (205-229) to cut end.