

CLOCK DISPLAY BOARD
4.5" Digits With Colon
276-1201, 276-1202

The Radio Shack 276-1201, 276-1202 is a 24 hour clock display with colon located between digits 2 and 3. This is a direct drive display consisting of 4 digits, for hours and minutes, separated by a colon. It also has AM/PM indicator in the upper left hand corner.

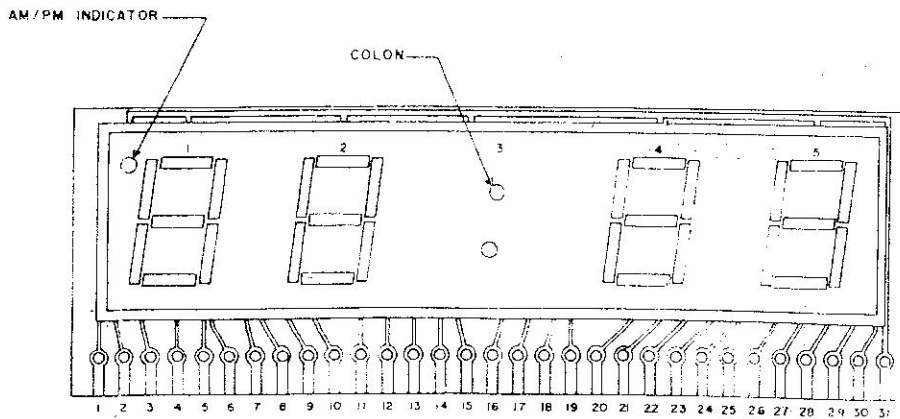


TECHNICAL DATA

AN EXCLUSIVE RADIO SHACK SERVICE TO THE EXPERIMENTER

ELECTRICAL DATA

PARAMETER	CONDITIONS	MIN.	TYP	MAX	UNITS
Segment Light Intensity	10 mA	.100	.250		mcd
Segment Forward Voltage	10 mA		1.7	2.0	V
Reverse Voltage	100 ua seg.	3.0	8.0		V
Intensity Matching	10 mA avg.	±33			%
Current per segm.				20	ma
Peak wave length			660		nm

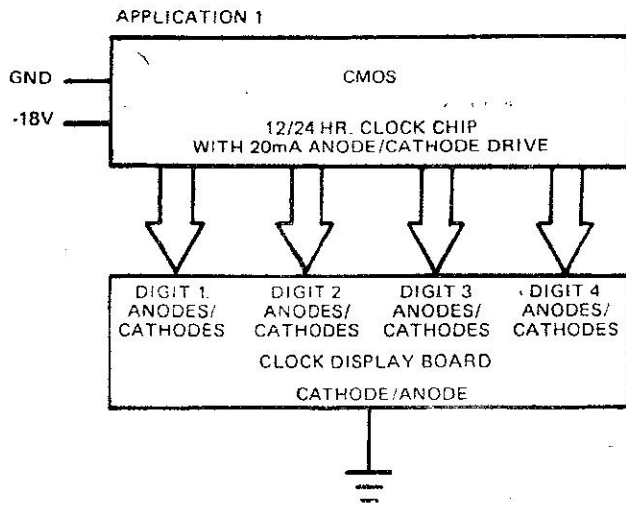


276-1201

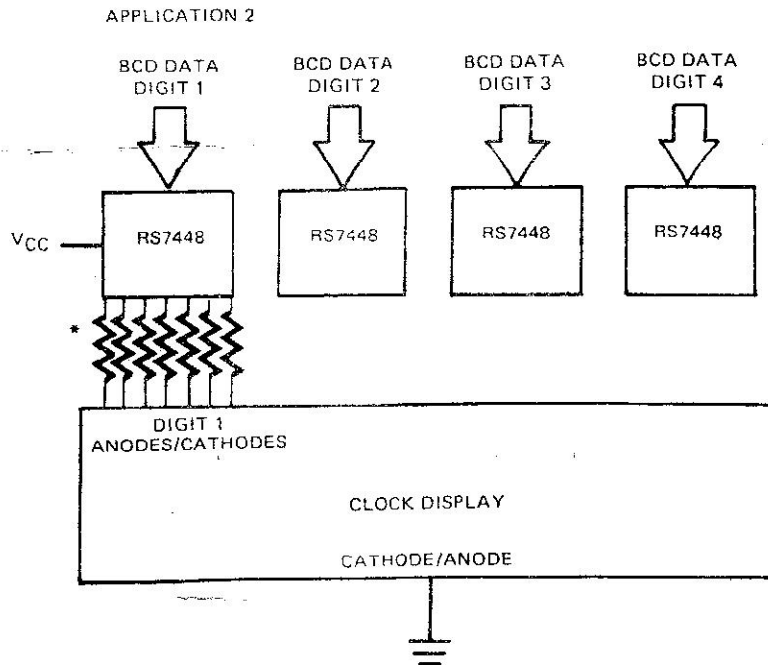
PIN NO	ELECTRICAL CONNECTION	PIN NO	ELECTRICAL CONNECTION
1	AM/PM INDICATOR CATHODE	17	CATHODE F DIGIT 4
2	CATHODE F DIGIT 1	18	E
3	E	19	D
4	D	20	C
5	C	21	G
6	G	22	B
7	B	23	A
8	A	24	F
9	F	25	E
10	E	26	D
11	D	27	C
12	C	28	B
13	G	29	A
14	B	30	CATHODE A DIGIT 5
15	CATHODE A DIGIT 2	31	COMMON ANODE
16	CATHODE COLON DIGIT 3		

276-1202

PIN NO	ELECTRICAL CONNECTION	PIN NO	ELECTRICAL CONNECTION
	AM/PM INDICATOR ANODE	17	ANODE F DIGIT 4
2	ANODE F DIGIT 1	18	E
3	E	19	D
4	D	20	C
5	C	21	G
6	G	22	B
7	B	23	A
8	A	24	F
9	F	25	E
10	E	26	D
11	D	27	C
12	C	28	G
13	G	29	B
14	B	30	ANODE A DIGIT 5
15	ANODE A DIGIT 2	31	COMMON CATHODE
16	ANODE COLON DIGIT 3		



THIS IS A CLOCK MODULE APPLICATION
THE CMOS REQUIRES NO RESISTORS/BUFFERS ETC.
TO DISPLAY INTERFACE.



CMOS BCD TO SEVEN SEGMENT DECODER

*VCC = 5V
ALL RESISTORS = 150 ohm TTL or CMOS COMPATIBLE

TYPICAL BOTH APPLICATIONS

RADIO SHACK  A DIVISION OF TANDY ELECTRONICS LIMITED, BARRIE, ONTARIO L4M 4W5